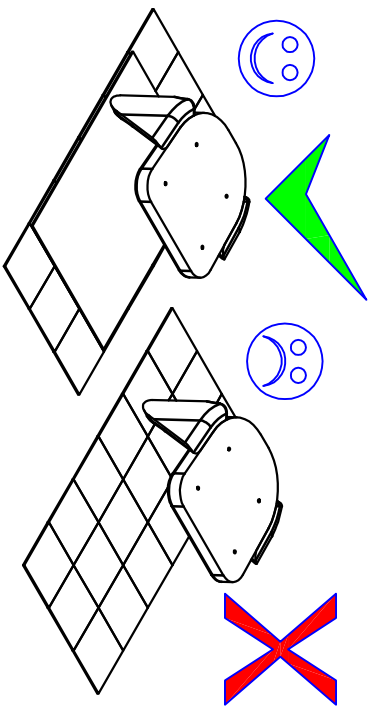
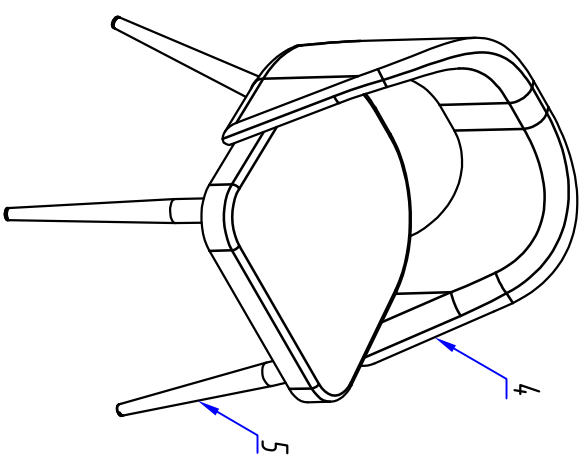

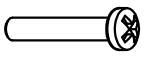
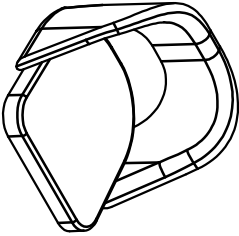
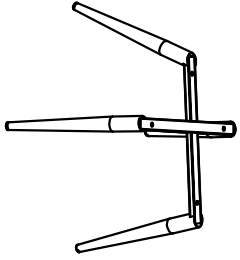

---	---



10 min



1	X4	3	X4	4	X1	5	X1
							
2	X4	M6x30					
