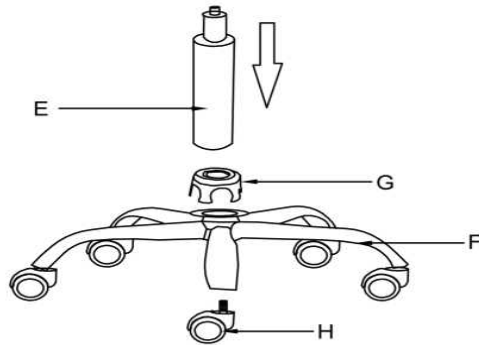


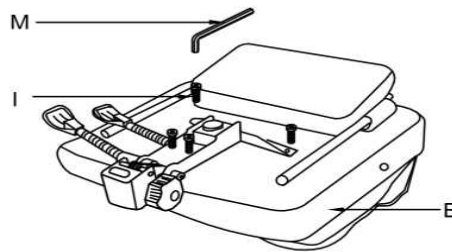
ASSEMBLY INSTRUCTION SHEET

818

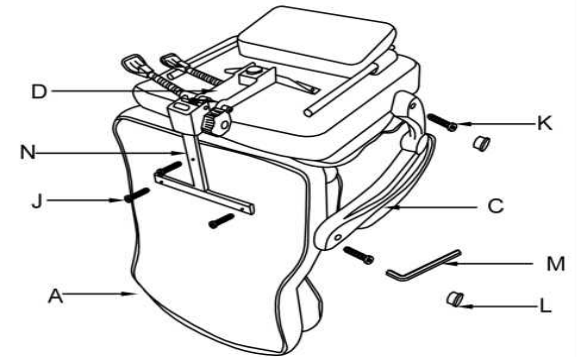
STEP1



STEP2



STEP3



STEP4



STEP5



STEP6



A	B	C	D	E	F	G	H	I	J	K	L	M	N						
X1	X1	X2	X1	X1	X1	X1	X5	6*20mm X4	6*35mm X3	8*30mm X4	X4	X1	X1						