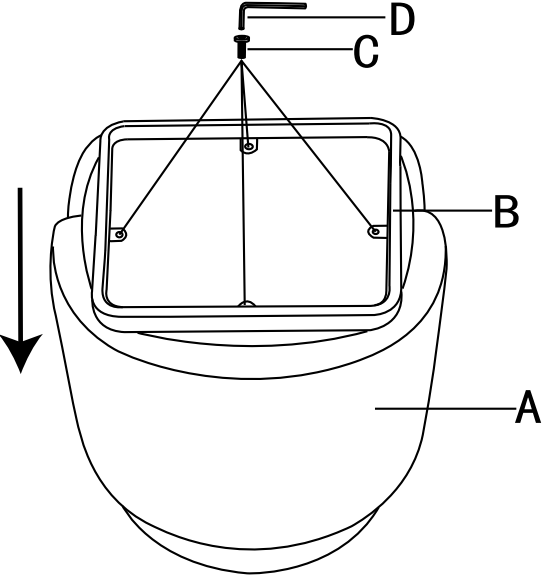
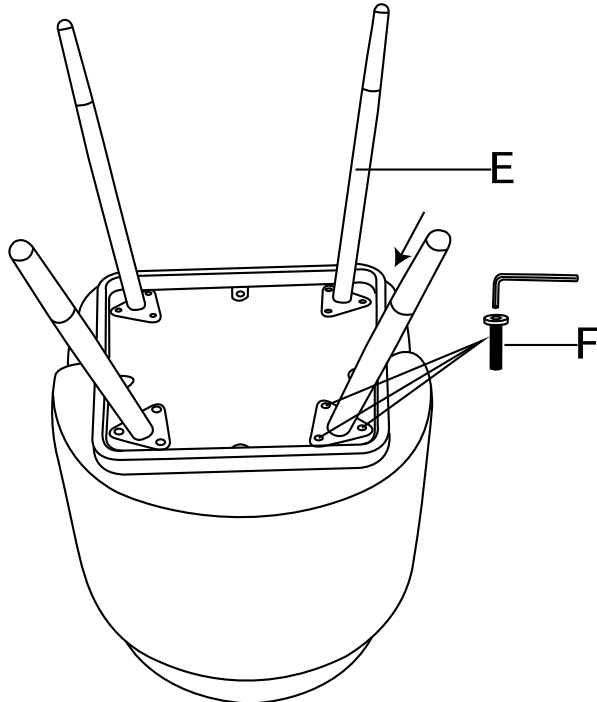
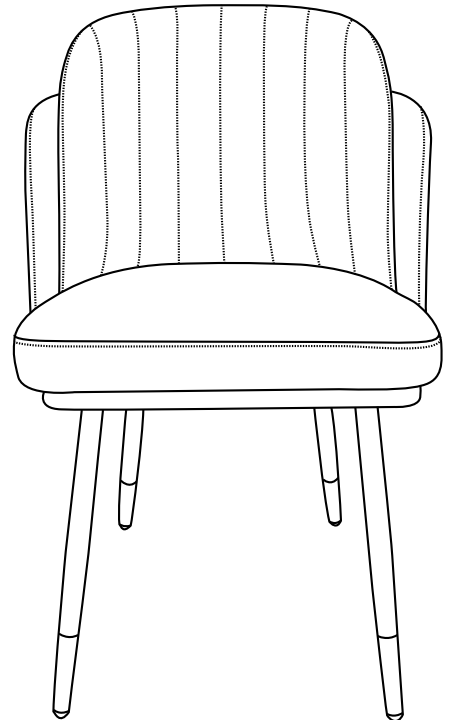
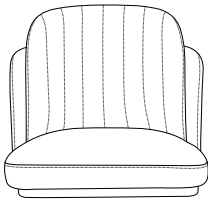
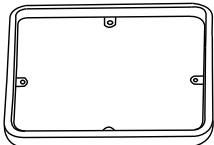

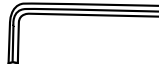
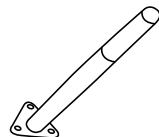



# Assembly Instruction

<p>1</p>  <p>Diagram 1 shows the chair seat (A) being lowered into the base. A rectangular frame (B) is positioned inside the seat. A bolt (C) is inserted through the center of the frame (B) and the seat (A) into a hole in the base. An L-shaped bracket (D) is attached to the top of the bolt (C).</p>	<p>2</p>  <p>Diagram 2 shows the four legs (E) being inserted into the base. A bolt (F) is inserted through the base into the seat (A) to secure the legs.</p>	<p>3</p>  <p>Diagram 3 shows the final assembled chair.</p>			
<p>A×1</p> 	<p>B×1</p> 	<p>C×4pcs</p>  <p>M8×25</p>	<p>D×1</p> 	<p>E×4</p> 	<p>F×4pcs</p>  <p>M8×30</p>