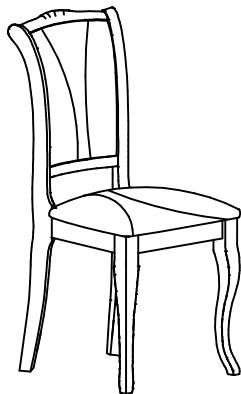
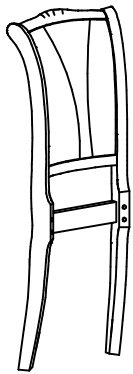


ASSEMBLY INSTRUCTIONS

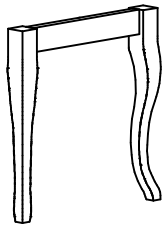
OP-SC



COMPONENTS CHECKLIST



BACK FRAME
1 PC



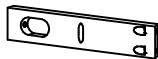
FRONT FRAME
1 PC



LEFT APRON
1 PC



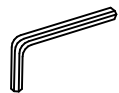
CUSHION SEAT
1 PC



RIGHT APRON
1 PC

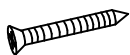
FITTINGS HARDWARE

Part ' A '



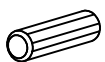
ALLEN KEY M4 : 1 PC

Part ' B '



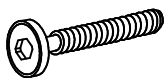
CHIPBOARD SCREW M4X32 : 3PCS

Part ' C '



WOOD DOWEL M8X30
4PCS

Part ' D '



JCBC BOLT M6 x 50 : 2PCS

Part ' E '



SPRING WASHER 5/16"
6PCS

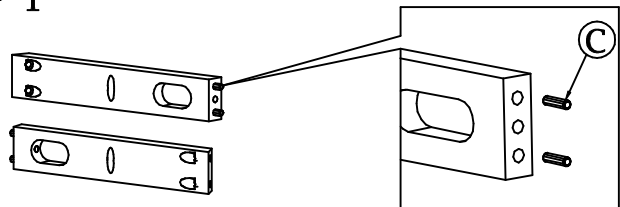
Part ' F '



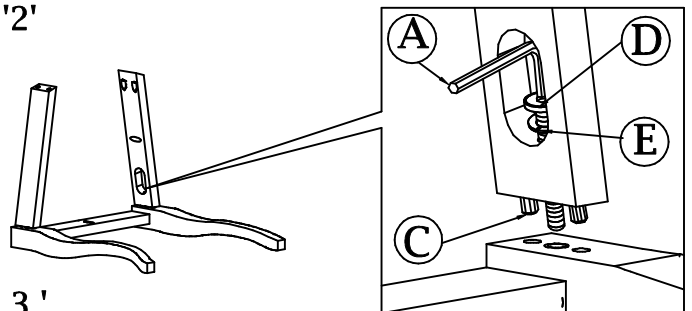
JCBC BOLT M6 x 45 : 4PCS

ASSEMBLY INSTRUCTIONS

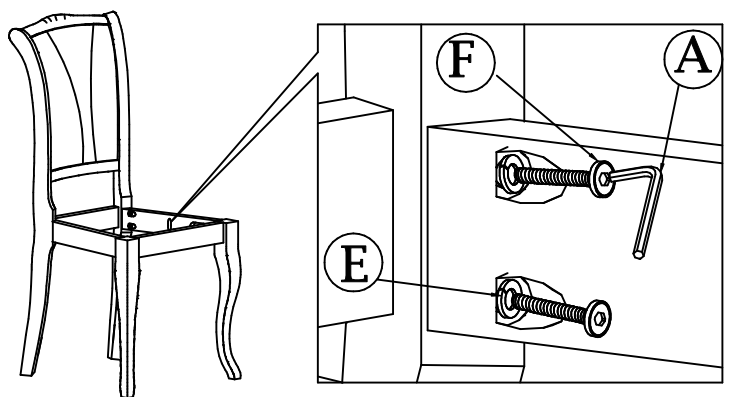
STEP ' 1 '



STEP ' 2 '



STEP ' 3 '



STEP ' 4 '

