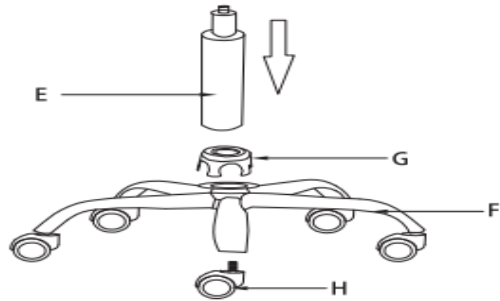
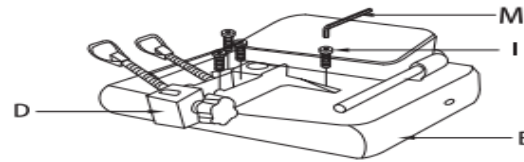


# ASSEMBLY INSTRUCTION SHEET

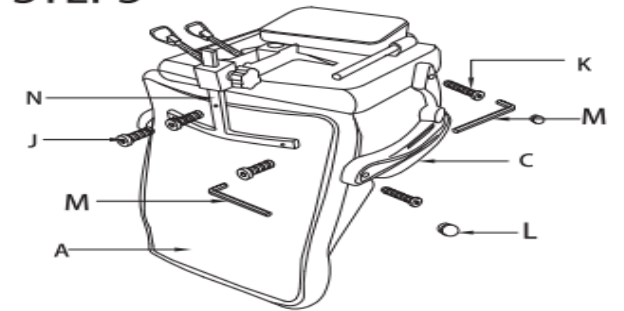
## STEP1



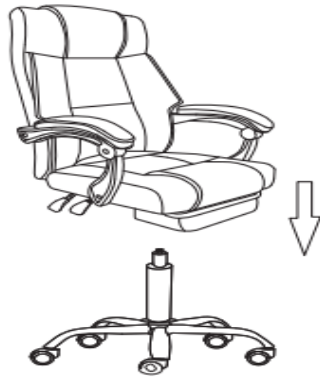
## STEP2



## STEP3



## STEP4



## STEP5



A  X1	B  X1	C  X2	D  X1	E  X1	F  X1	G  X1	H  X5	I  6*20mm X4	J  6*30mm X3	K  8*30mm X4	L  X4	M  X1	N  X1						
-------------	-------------	-------------	-------------	-------------	-------------	-------------	-------------	-----------------------	-----------------------	-----------------------	-------------	-------------	-------------	--	--	--	--	--	--