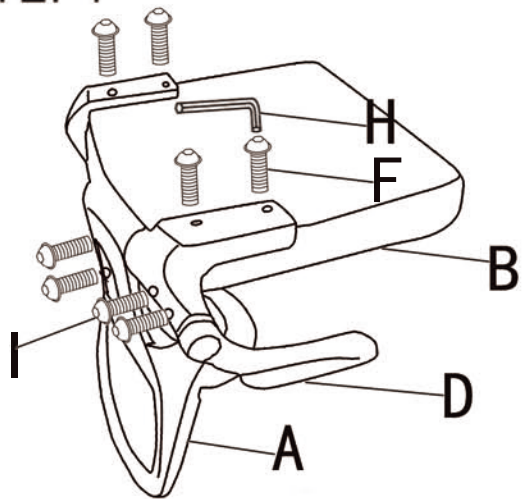
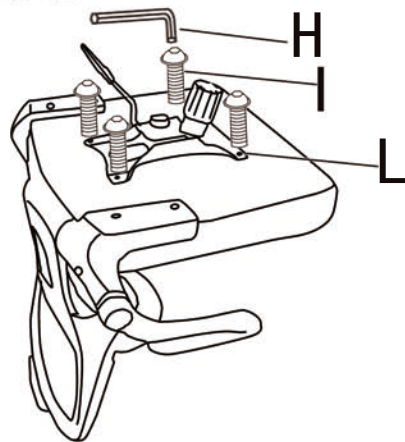


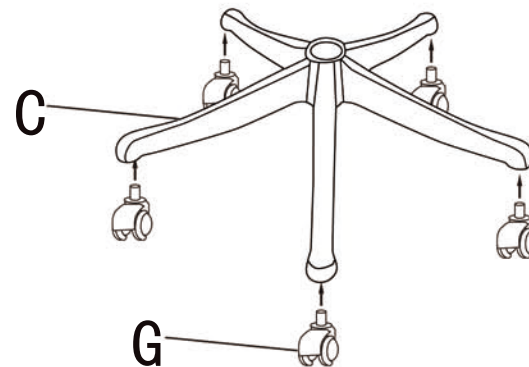
STEP1



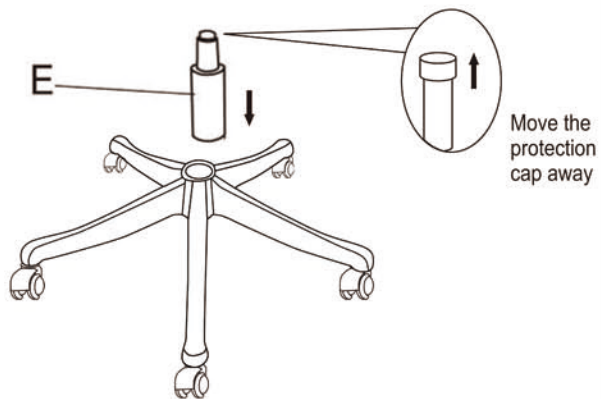
STEP2



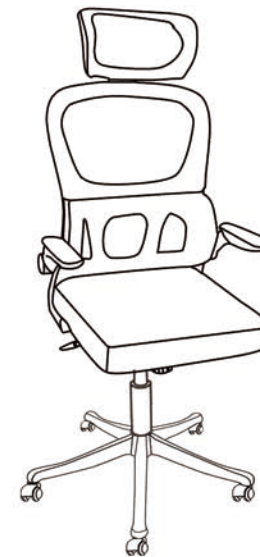
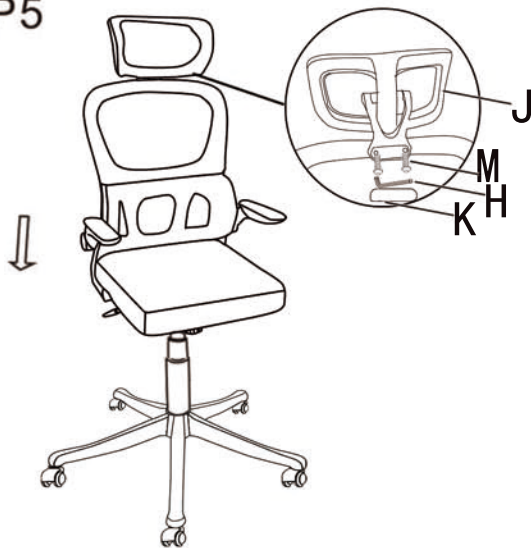
STEP3













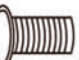


STEP4



STEP5



 <p>A X1</p>	 <p>B X1</p>	 <p>C X1</p>	 <p>D X2</p>	 <p>E X1</p>	 <p>F 6*35 X4</p>	 <p>G X5</p>	 <p>H X1</p>	 <p>I 6*20 X8</p>	 <p>J X1</p>	 <p>K X1</p>	 <p>L X1</p>	 <p>M 6*25 X2</p>
----------------------------------------------------------------------------------------------------	-----------------------------------------------------------------------------------------------------	-----------------------------------------------------------------------------------------------------	-----------------------------------------------------------------------------------------------------	-----------------------------------------------------------------------------------------------------	-----------------------------------------------------------------------------------------------------------	-------------------------------------------------------------------------------------------------------	-------------------------------------------------------------------------------------------------------	------------------------------------------------------------------------------------------------------------	-------------------------------------------------------------------------------------------------------	-------------------------------------------------------------------------------------------------------	-------------------------------------------------------------------------------------------------------	------------------------------------------------------------------------------------------------------------